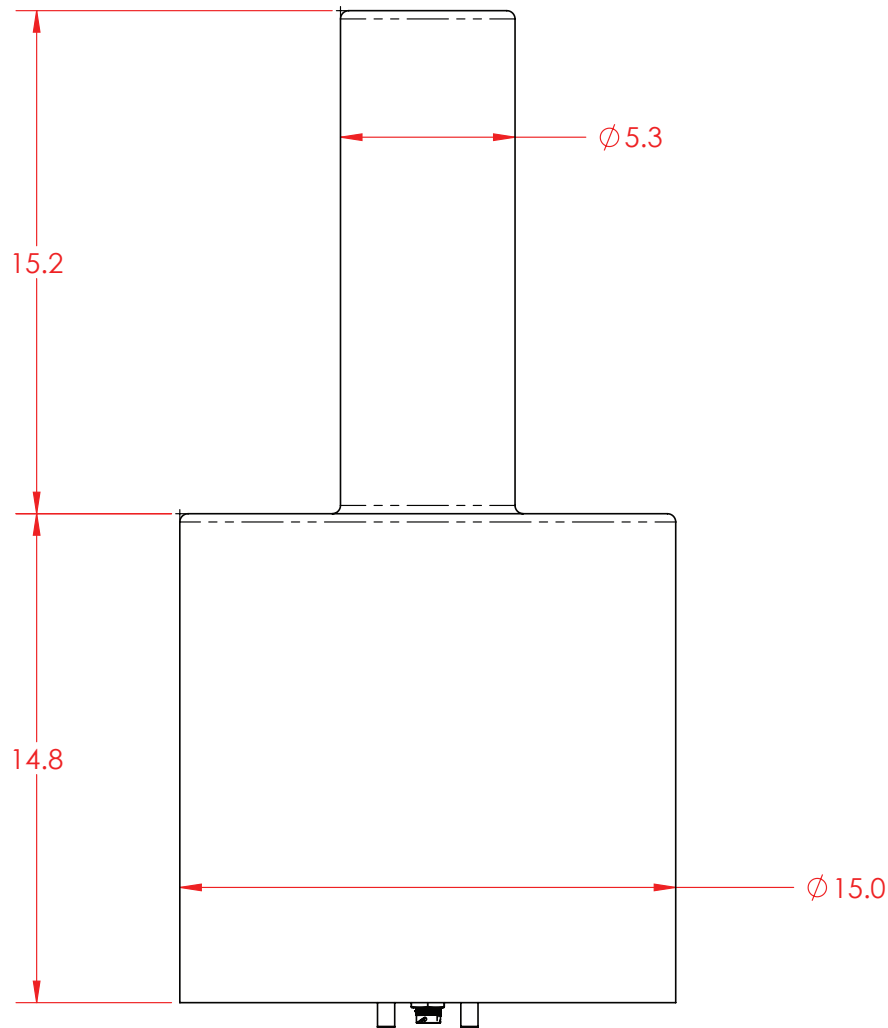


PRODUCT SPECIFICATIONS

BTS-MBE-2SC01T



Specifications

BTS-MBE-2SC01T - Electronic Steerable Antenna

FREQUENCY	Band 1: 2200 - 2500 MHz
	Band 2: 4400 - 5000 MHz
GAIN	Band 1: 12 dBi
	Band 2: 15 dBi
POLARIZATION	Dual (Vertical & Horizontal Polarization)
SIDELobe ATTENUATION	>18dB (Typical)
BACKLOBE ATTENUATION	>20dB (Typical)
VSWR	2:1 Typical (2.2:1 Max)
AZIMUTH BEAMWIDTH	50° (Typical at S); 45° (Typical @ C)
AZIMUTH COVERAGE	360°
ELEVATION BEAMWIDTH	13° (S); 10° (C)
BEAM PROFILE	Directional, < 500ns Beam-to-Beam Switch Time
ANTENNA	Passive / 50 Ohms
MIMO	Yes, (2x2 MIMO)
RF PORTS	2x N-TYPE

Physical Specifications

DIMENSIONS	15.0" (W) x 30.0" (H)
WEIGHT	< 40 lbs
ENVIRONMENTAL	IP66 / Operating:-40 to 60°C / Storage:-40 to 70°C
POWER	18 VDC to 36 VDC (24 VDC nominal) / 25 W Max
CONTROL INTERFACE	Ethernet; Web GUI
POWER AMPLIFIER	Up to 36 dBm Max Input Power
MIL-STD-810G Method 514.6, Procedure I, Category 20 (Ground Vehicles - Ground Mobile)	
MIL-STD-810G Method 514.6, Procedure IV, Category 20 - Transit Drop and optimization capabilities.	



www.batswireless.com
8431 Georgetown, Ste. 600
Indianapolis, Indiana 46268

Military Sales & Inquiries

Sales +1-888-955-8228 x105
Support +1-317-500-4506
Email mil.sales@batswireless.com